

ISOMETRIC VIEW

DETAIL Y

DETAIL C

ISOMETRIC VIEW F

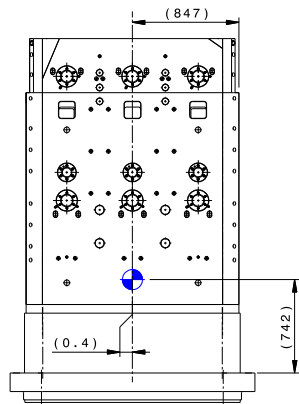
DETAIL D

ITEM	PART NAME	PRODUCT TYPE	MATERIAL	QUANTITY	MASS (Kg)
1	EQ PORT PLUG FLANGE	Cross-Forged Material	X2CrNiMo17-12-2 ITER GRADE	1	8085
2	ROLLED RIGHT PLATE	plate	X2CrNiMo17-12-2 ITER GRADE	1	1658
3	ROLLED LEFT PLATE	plate	X2CrNiMo17-12-2 ITER GRADE	1	1666
4	ROLLED TOP PLATE	plate	X2CrNiMo17-12-2 ITER GRADE	1	1168
5	ROLLED BASE PLATE	plate	X2CrNiMo17-12-2 ITER GRADE	1	1102
6	PP_CORNER_01_GENERIC_MSKE	Cross-Forged Material	X2CrNiMo17-12-2 ITER GRADE	1	138
7	PP_CORNER_02_GENERIC_MSKE	Cross-Forged Material	X2CrNiMo17-12-2 ITER GRADE	1	138
8	PP_CORNER_03_GENERIC_MSKE	Cross-Forged Material	X2CrNiMo17-12-2 ITER GRADE	1	138
9	PP_CORNER_04_GENERIC_MSKE	Cross-Forged Material	X2CrNiMo17-12-2 ITER GRADE	1	138
10	CORNER_PLUG	Cross-Forged Material	X2CrNiMo17-12-2 ITER GRADE	4	
11	STANDARD_PLUG	Cross-Forged Material	X2CrNiMo17-12-2 ITER GRADE	29	
12	STANDARD_PLUG_TYPE_2	Cross-Forged Material	X2CrNiMo17-12-2 ITER GRADE	4	
13	D12.4 08 CHANNEL ORIFICE	Cross-Forged Material	X2CrNiMo17-12-2 ITER GRADE	1	
14	LARGE PLUG	Cross-Forged Material	X2CrNiMo17-12-2 ITER GRADE	9	
15	EQ_PP_STRUCTURE_WELDED_WATER_PIPES	Seamless Pipe	X2CrNiMo17-12-2 [1.4404*]	2	
16	D15.4 08 CHANNEL ORIFICE	Cross-Forged Material	X2CrNiMo17-12-2 ITER GRADE	7	
17	INSERT M10x15	Standard Component	CuAl10Ni15Fe4 CW307G R740	54	
23	INSERT-M12X18 14.25	Standard Component	CuAl10Ni15Fe4 CW307G R740	16	
24	CLAMPING_PIN_ISO_8752_6X14	Standard Component	CuAl10Ni15Fe4 CW307G R740	88	
25	CLAMPING_PIN_ISO_8752_6X10	Standard Component	CuAl10Ni15Fe4 CW307G R740	36	
26	INSERT M10x12.75	Standard Component	CuAl10Ni15Fe4 CW307G R740	18	
27	INSERT M10x15 SPIRAL LOCK	Standard Component	CuAl10Ni15Fe4 CW307G R740	36	

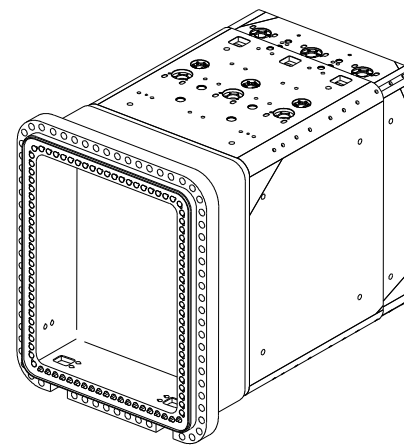
TOTAL MASS: 14231 Kg
(ESTIMATED MASS)

REV CAD 10	VYSWKP	APPROVED BY	WAL SHW	LABEL NUMBER
DESIGNED BY	RS3SDK	REVISIONS		
CHECKED BY	GIJRAOJ			
REV TITLE	RS3SG5	DRAWN BY		
Diagnosics		PROJECT TITLE		
Eq Port System		EQ_PORT_PLUG_STRUCTURE		
Generic Equip Struct		EXPLODED_VIEW_AND_BOM		
DATE OF ISSUE: 03 Jan 23		QC: MD	QC: AL	QUALITY CLASS: QC-1
SCALE: W 1:20		PROJECT CODE: A1 55 Q0 AP 044 739 02 26		
THIRD ANGLE PROJECTION		REV: --N		

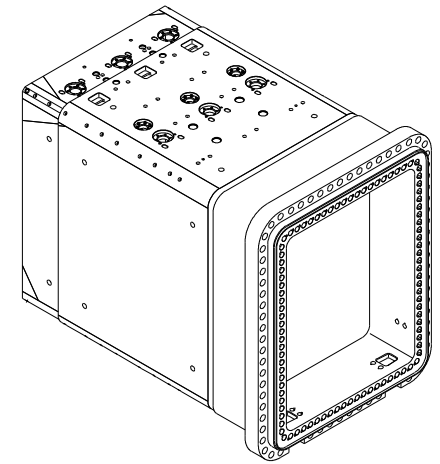
Space reservation for the banner



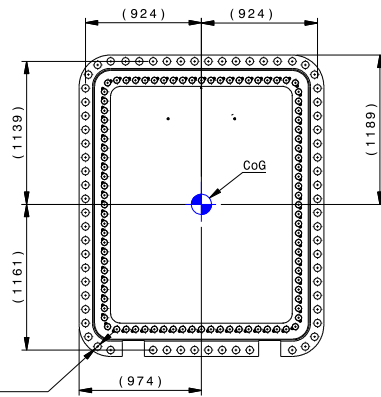
TOP VIEW



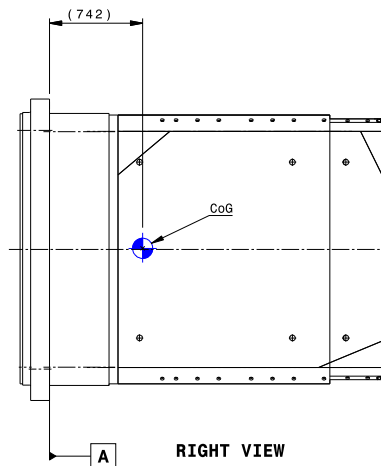
ISOMETRIC VIEW



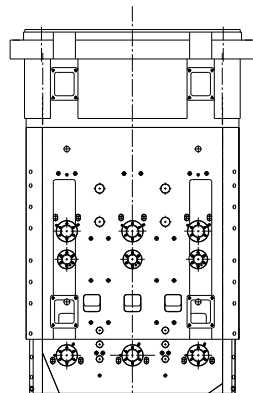
ISOMETRIC VIEW



FRONT VIEW



RIGHT VIEW



BOTTOM VIEW

NOTES:

DATUM **A** IS THE INTERFACE PLANE BETWEEN THE PPS AND THE PORT PLUG

DATUM **B** IS DEFINED BY THE SUM OF THE LEAST SQUARE OF THE 68 HOLES OF THE PLUG INTERFACE. THIS IS DEFINING 2 MIDDLE PLANES

ROUGHNESS UNLESS SPECIFIED FOR VACCUM EXPOSED SURFACES: Ra 6.3

APPLICABLE GENERAL TOLERANCES: ISO-2768-mK

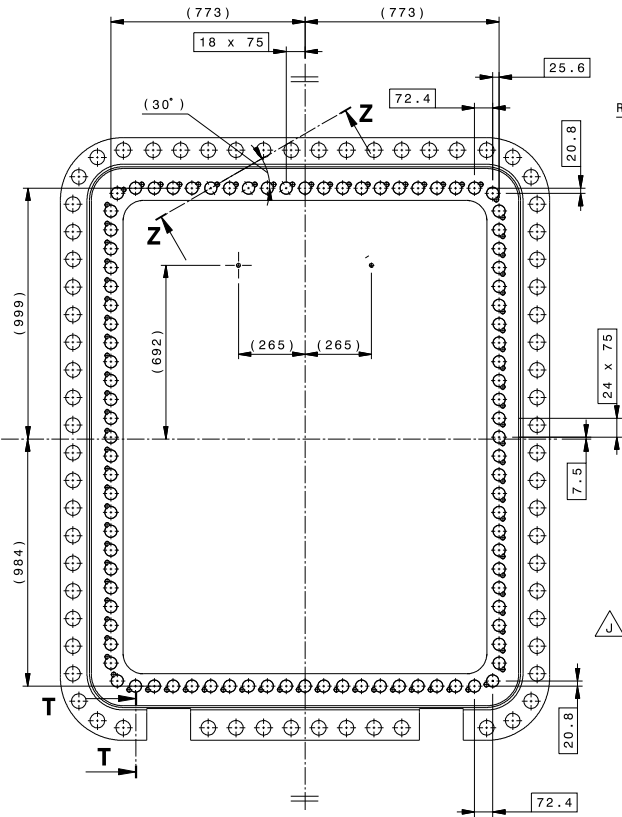
DESIGN NO	VYSWKP	APPROVED BY	WALSHM	DATE	
DESIGNED BY	RS3SDK	REVISION NO			
CHECKED BY	RS3SG5	DESIGNED BY	GUJRAJ		
DATE		DATE			
TITLE		DRAWN BY		DATE	
Diagnostics		---		DATE	
Eq Port System		---		DATE	
Generic Equip Struct		---		DATE	
DATE OF ISSUE	BY PROJECT	BY VERSION	PROJECT TITLE		
03 Jan 23	MD	-AL	EQ PORT PLUG STRUCTURE		
BY ENGINE	SCALE	BY PART	DATUM SYSTEM and COG		
W	1:20	D	COMPONENT DRAWING		
THIRD ANGLE PROJECTION		PROJECT FILE NUMBER		DATE	
		A1 55 Q0 AP 044 739		03 26	



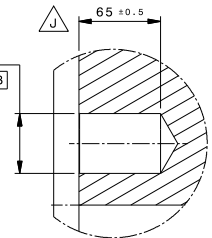
1 2 3 4 5 6 7 8 9 10 11 12 13 14 15 16

A
B
C
D
E
F
G
H
I
J
K
L

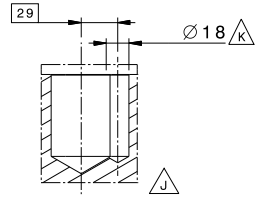
A
B
C
D
E
F
G
H
I
J
K
L



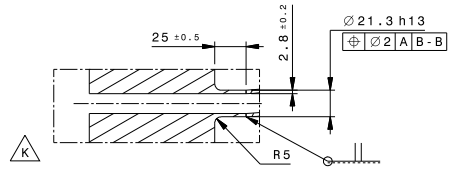
FRONT VIEW



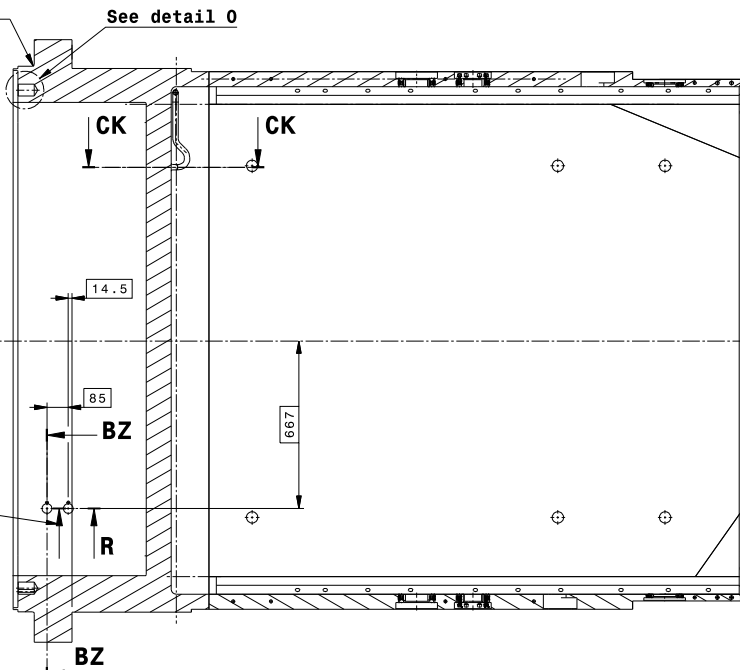
DETAIL 0
Scale: 1:2
APPLICABLE 92x



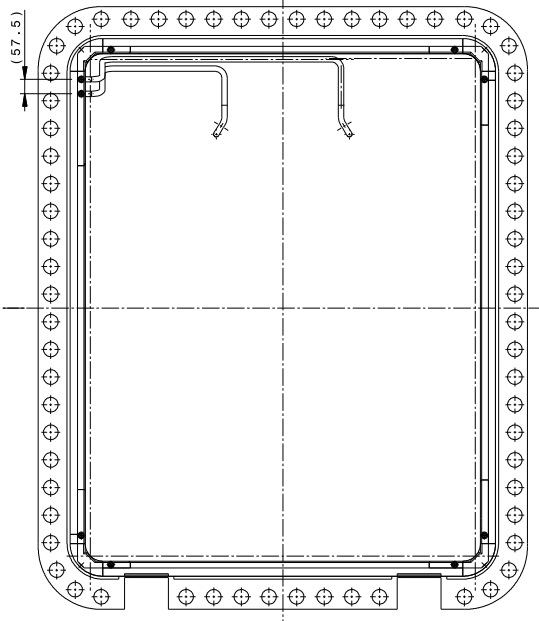
SECTION VIEW Z-Z
Scale: 1:2
APPLICABLE 92x



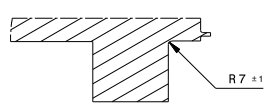
SECTION CUT CK-CK
Scale: 1:2
APPLICABLE 2x



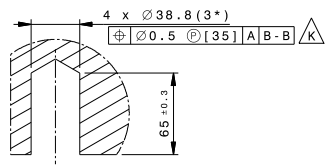
SECTION VIEW N-N



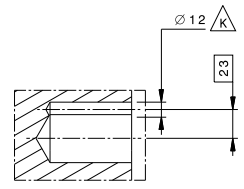
REAR VIEW



SECTION CUT T-T
Scale: 1:5



SECTION CUT R-R
Scale: 1:2
APPLICABLE 4x
(RH AND LH SIDE)



SECTION VIEW BZ-BZ
Scale: 1:2
APPLICABLE 4x
(RH AND LH SIDE)

NOTE:
3* - DIAMETER OF THE HOLES MUST BE COMPLIANT FOR THE INSERTS

DESIGN NO	VYSWKP	APPROVED BY	WAL SHM	DATE	13 JAN 23
DESIGNED BY	RS3SDK	DESIGNED BY	GUJRAJ	SCALE	1:10
CHECKED BY	RS3SG5	DR	D	PROJ NO	A1 55 Q0 AP 04473905 26
TITLE		DESCRIPTION			
Diagnosics		EQ PART PLUG STRUCTURE			
Eq Port System		FLANGE INTERFACES			
Generic Equip Struct		COMPONENT DRAWING			
DATE OF ISSUE	BY PROJECT	BY VERSION	QUALITY CLASS	ISSUED DATE	
03 Jan 23	MD	-AL	QC-1		
NO. OF SHEETS	NO. OF SHEETS	NO. OF SHEETS	NO. OF SHEETS	NO. OF SHEETS	NO. OF SHEETS
W	1:10	D			
THIRD ANGLE PROJECTION					

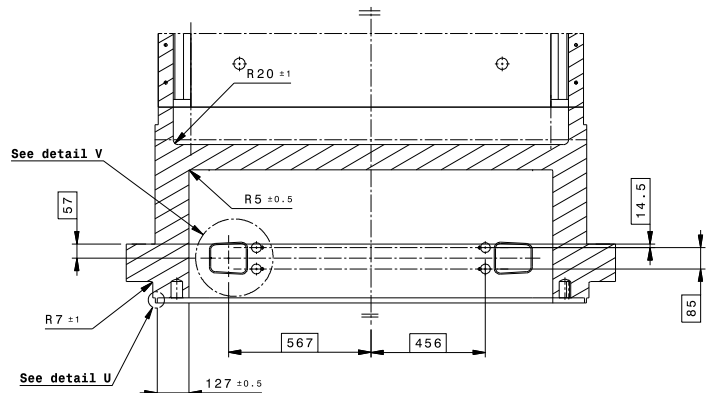


Space reservation for the banner

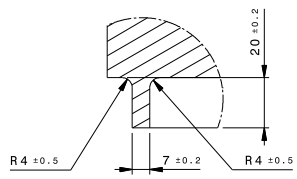
1 2 3 4 5 6 7 8 9 10 11 12 13 14 15 16

1 2 3 4 5 6 7 8 9 10 11 12 13 14 15 16

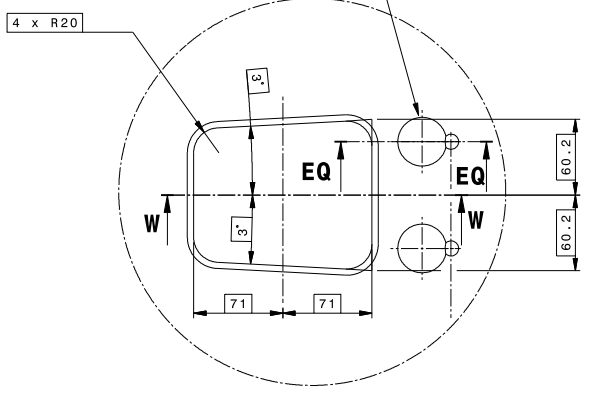
A
B
C
D
E
F
G
H
I
J
K
L



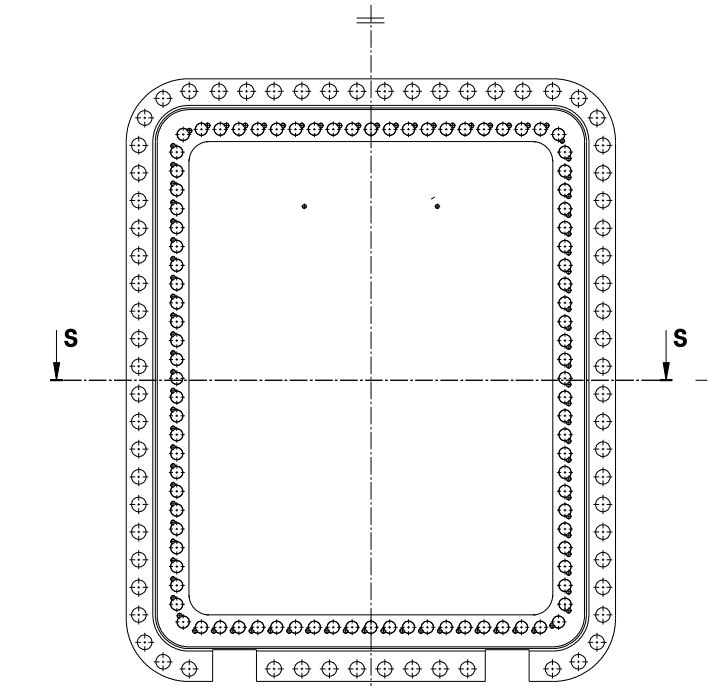
SECTION VIEW S-S



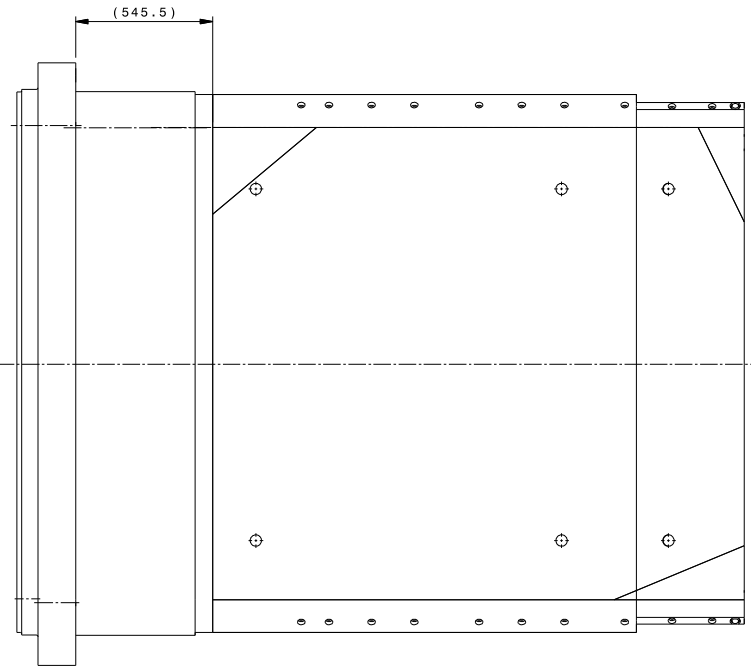
DETAIL U
Scale: 1:1



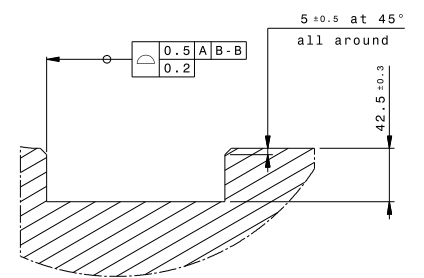
DETAIL V
Scale: 1:2



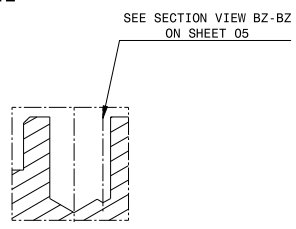
FRONT VIEW



RIGHT VIEW



SECTION CUT W-W
Scale: 1:2



SECTION CUT EQ-EQ
Scale: 1:2

DESIGN NO	VYSWKP	APPROVED BY	WALSHM	LEGAL OWNER	
DESIGNED BY	RS3SDK	REVISIONS	001		
CHECKED BY	RS3SG5	DRAWN BY	GURRAJ		
TITLE	Diagnosics		PARTICLE TITLE		
	Eq Port System		EQ PORT PLUG STRUCTURE		
	Generic Equip Struct		FLANGE INTERFACES		
DATE OF ISSUE	BY PROJECT	BY VERSION	QUALITY CLASS		
03 Jun 23	MD	-AL	SIC-1		
BY PART	W	D	QUALITY CLASS		
			GC-1		
THIRD ANGLE	1:10		PROJECT TITLE		
PROJECTION	D		Part Drawing		
PROJECT NUMBER		PART NUMBER		REV	TOP SHEET
A1 55 Q0 AP		044 739 06 26			--N

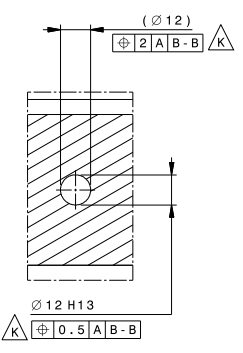
1 2 3 4 5 6 7 10 11 12 13 14 15 16

Space reservation for the banner

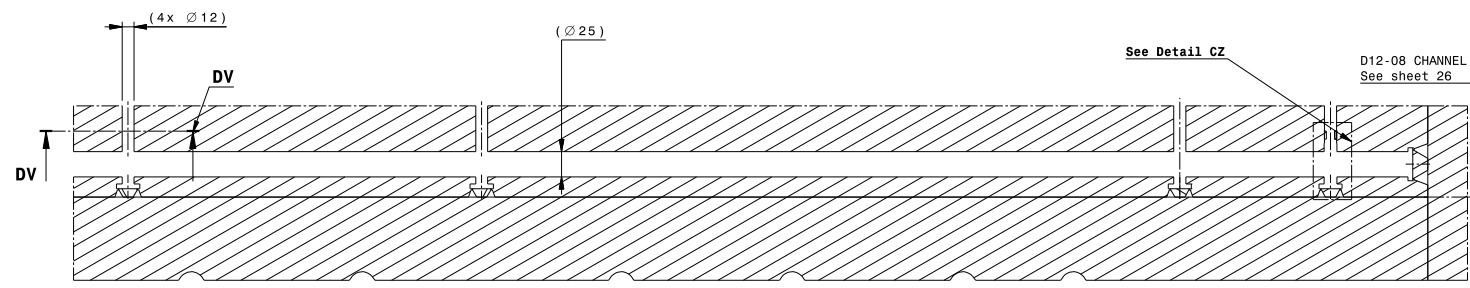
1 2 3 4 5 6 7 8 9 10 11 12 13 14 15 16

A
B
C
D
E
F
G
H
I
J
K
L

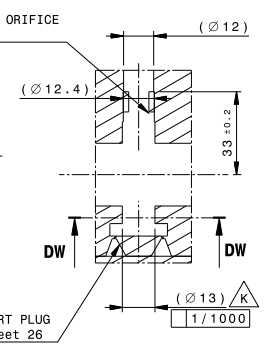
A
B
C
D
E
F
G
H
I
J
K
L



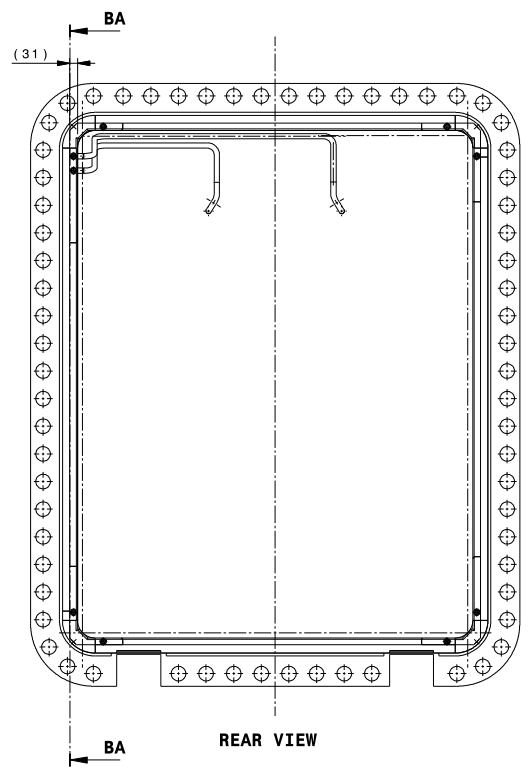
SECTION VIEW DV-DV
Scale: 1:1



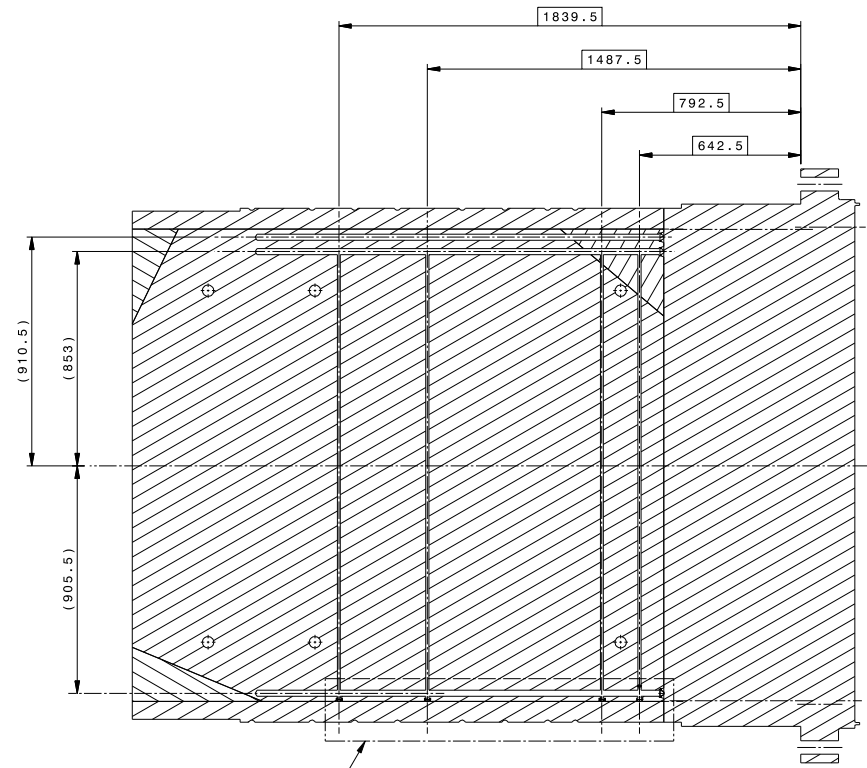
DETAIL BB
Scale: 2:5



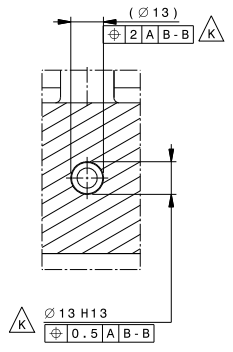
DETAIL CZ
Scale: 1:1




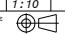
REAR VIEW



SECTION CUT BA-BA

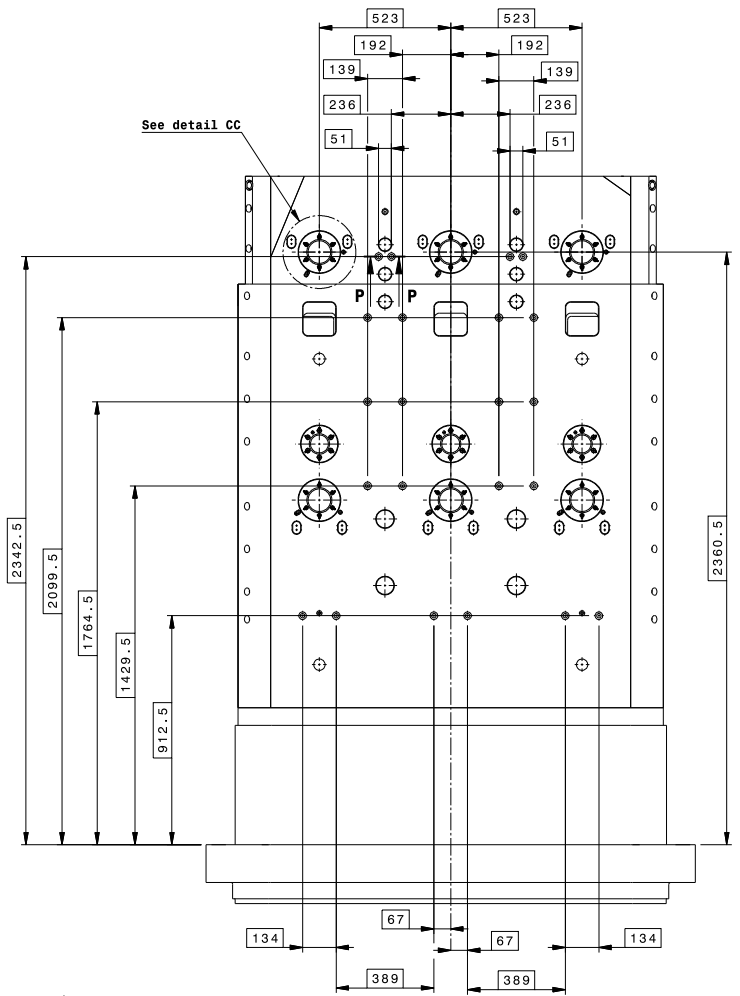


SECTION VIEW DW-DW
Scale: 1:1

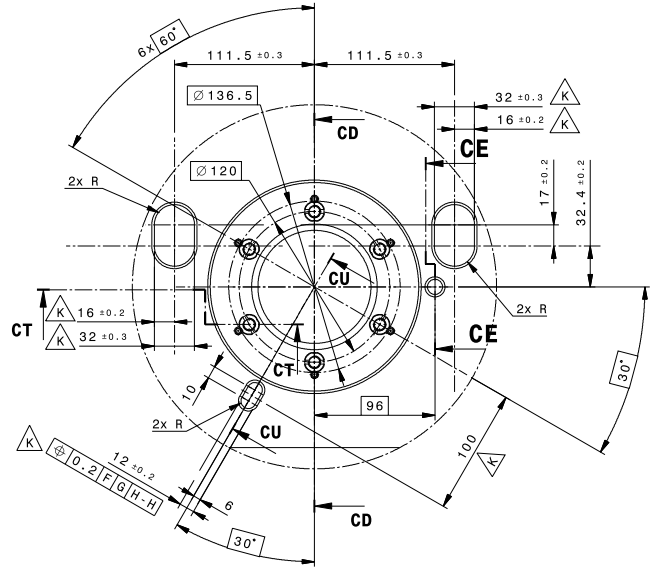
DESIGNER	VYSWKP	APPROVED BY	WALSHM	DESIGNED BY		LEGAL OWNER	
CHECKED BY	RS3SDK	REVISIONS		DRAWN BY			
ENGINEER	RS3SG5						
TITLE	Diagnostics Eq Port Systems Generic Eqpt Struct			PART TITLE EQ_PORT_PLUG_STRUCTURE			
DATE OF ISSUE	03 Jun 23	BY PROJECT	MD	BY VERSION	-AL	QUALITY CLASS	SIC-1
BY PART	W	BY PART	D	BY PART	D	QUALITY CLASS	QC-1
THIRD ANGLE PROJECTION				PROJECT NUMBER	A1 55 Q0 AP 044739	DATE	14 26
						ISSUE	--N

1 2 3 4 5 6 7 8 9 10 11 12 13 14 15 16

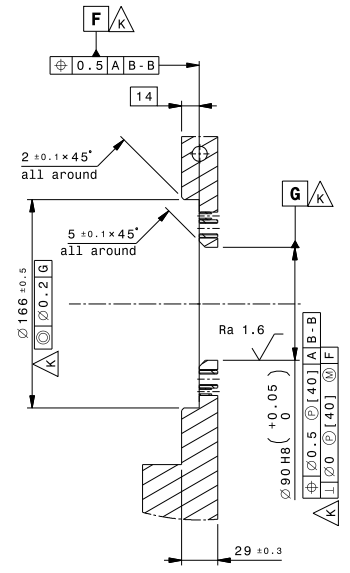
Space reservation for the banner



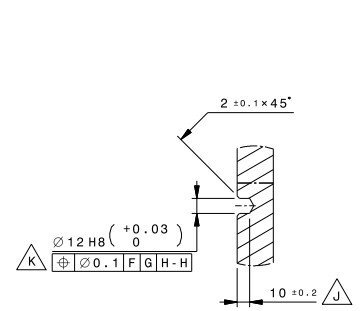
TOP VIEW



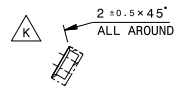
DETAIL CC
Scale: 1:2
APPLICABLE 3x



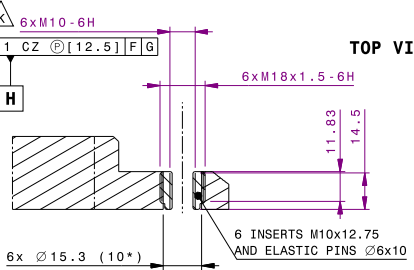
SECTION CUT CD-CD
Scale: 1:2



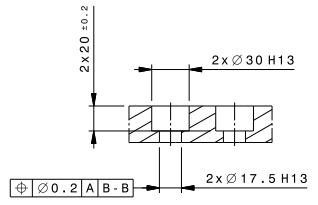
SECTION CUT CE-CE
Scale: 1:2
APPLICABLE 3x



SECTION VIEW CU-CU
Scale: 1:2
SEE SECTION CUT BY-BY FOR MISSING DIMENSIONS



SECTION CUT CT-CT
Scale: 1:1



SECTION VIEW P-P
Scale: 1:2
APPLICABLE 2x

NOTE:
10*-DIAMETER OF THE HOLES MUST BE COMPLIANT FOR THE INSERTS

DESIGN NO	VYSWKP	APPROVED BY	WALSHM	LEGAL OWNER
DESIGNED BY	RS3SDK	REVISIONS	RS3SDK	
CHECKED BY	RS3SG5	DESIGNED BY	GUJRAOJ	
TITLE		DRAWN BY		PROJECT TITLE
Diagnostics		---		EQ PORT PLUG STRUCTURE
Eq Port System		---		BOTTOM BASE PLATE MACHINING_2/3
Generic Equip Struct		---		COMPONENT DRAWING
DATE OF ISSUE	BY PROJECT	BY VERSION	SIC-1	
03 Jan 23	MD	-AL	QUALITY CLASS	
BY ENGINE	SCALE	BY PART	QC-1	
W	1:10	D	DOCUMENT TYPE	
THIRD ANGLE PROJECTION		PROJECT FILE NUMBER	WORKING NUMBER	ISSUE
		A1 55 Q0 AP	04473921	26
				--N

1 2 3 4 5 6 7 8 9 10 11 12 13 14 15 16

A
B
C
D
E
F
G
H
I
J
K
L

See sheet 22 section I-I
rotated by 180°

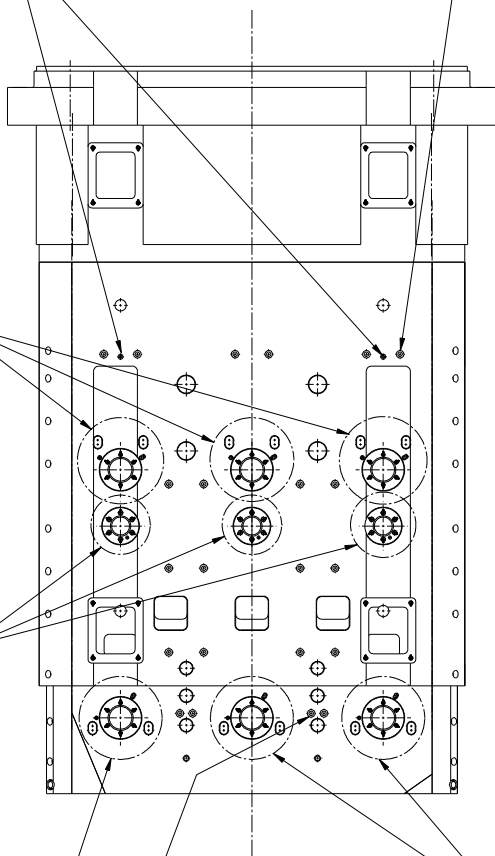
See sheet 22 section I-I
rotated by 180°
applicable 18x

See detail C0

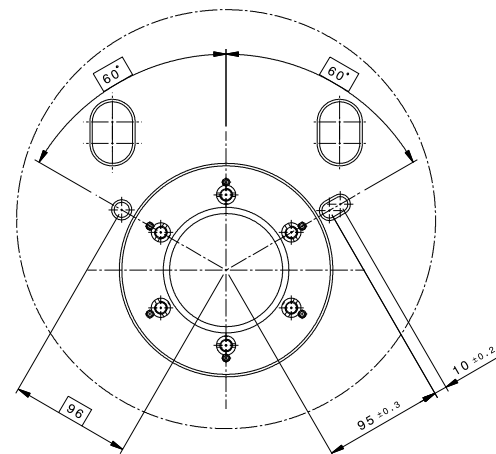
See detail CP

See sheet 21 detail CB
rotated by 180°

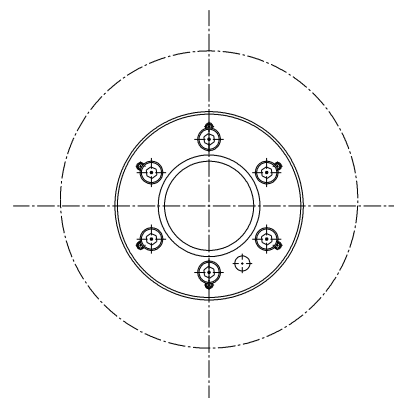
See sheet 21 section P-P
rotated by 180°
applicable 2x



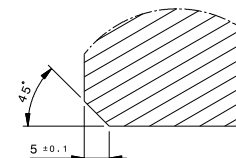
BOTTOM VIEW



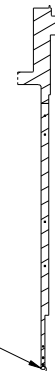
DETAIL C0
Scale: 1:2
applicable 3x
See sheet 22 detail CG rotated by 180° for
missing dimensions



DETAIL CP
Scale: 1:2
Applicable 3x
See sheet 20 detail BX rotated by 180° for
missing dimensions

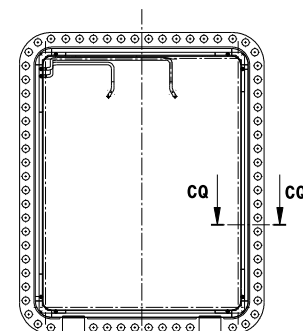


DETAIL CR
Scale: 2:1
chamfer all around



See DETAIL CR

SECTION CUT CQ-CQ
Scale: 1:20



REAR VIEW
Scale: 1:20

DESIGNER	VYSWKP	APPROVED BY	WALSHM	DATE	20080423	LEGAL OWNER	
CHECKED BY	RS3SDK	REVISIONS	REV				
DESIGNED BY	RS3SG5	DATE					
TITLE	Diagnosics		EQ PORT PLUG STRUCTURE		PROJECT CODE		
DATE OF ISSUE	MD	REV	AL	QUALITY CLASS	SIC-1		
ISSUE	1	1	1	DC-1	BASE_PLATE_MACHININGS_3/3		
SCALE	1:10	D		QUALITY CLASS	COMPONENT_DRAWING		
THIRD ANGLE	PROJECTION		Part Drawing				
PROJECT	A155Q0AP	WORKING NUMBER	044739	DATE	25 26	REVISION	--N

1 2 3 4 5 6 7 10 11 12 13 14 15 16