
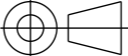


	1	2	3	4	5	6	7	8					
A													
B													
C													
D													
E					--A	UPDATED ACCORDING TO WP --B		30 Apr 24					
					---	FIRST EDITION		19 Apr 22					
F					REV No.	DETAILS OF MODIFICATION	SHEET No.	GRID REF	DATE	DCR No.			
					DRW CAD ID	4D8ECH	APPROVED BY	ITER Organization		LEGAL OWNER			
					LINKED EV5 PT ID	4U252N	VELTRIP	INTERNAL USE		 <small>china EU india japan korea russia USA</small>			
					LINKED 3D ID	6FQ4RH	ELOUAZA	When received pursuant to a contract or agreement, the confidentiality clause therein shall be applicable. When received during tender phase treat as confidential.					
					PBS TITLE	Neutral Beam H&CD System HNB01 injector Passive magnetic shield	DRAWN BY	DRAWING TITLE		SIDE_PMS_1L_OUTSIDE MODIFICATIONS_SHEET			
					DATE OF ISSUE	30 Apr 24	IRAZOQN	DOCUMENT TYPE					
					DR STATUS	W	SIC-2	Part Drawing					
					SCALE	1:1	QC-2	FORMAT	PBS NUMBER	DRAWING NUMBER	SHEET	N°OF SHEETS	REVISION
					THIRD ANGLE PROJECTION		A3	53 01 PM	062556	01	03	--A	
					REV No.	DETAILS OF MODIFICATION	SHEET No.	GRID REF	DATE	DCR No.			
	1	2	3	4	5	6	7	8					

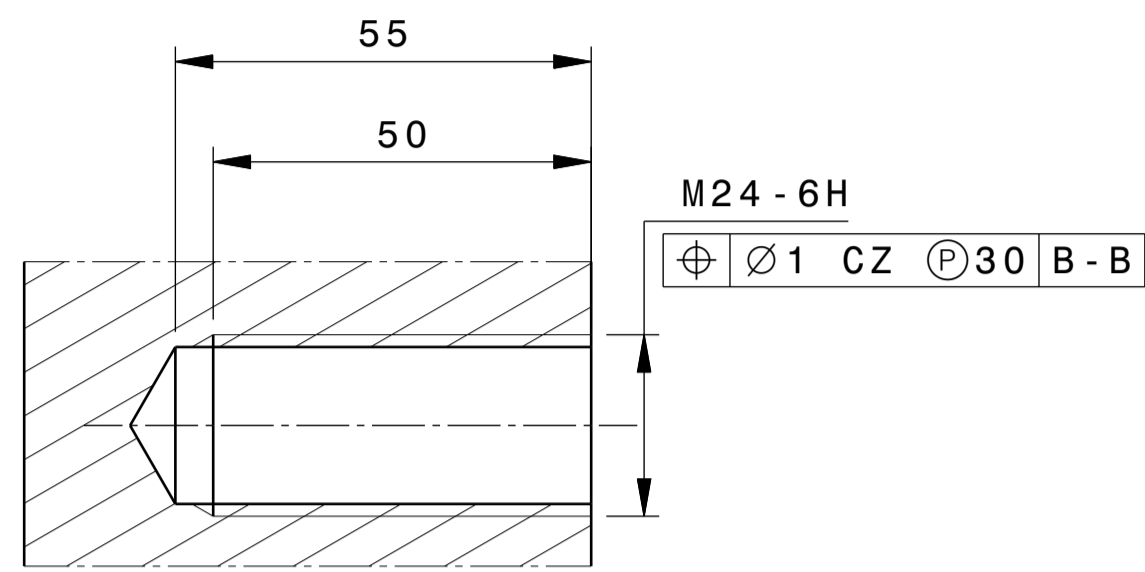
Spacereservation for the banner

Spacereservation for the banner

SECTION VIEW C-C

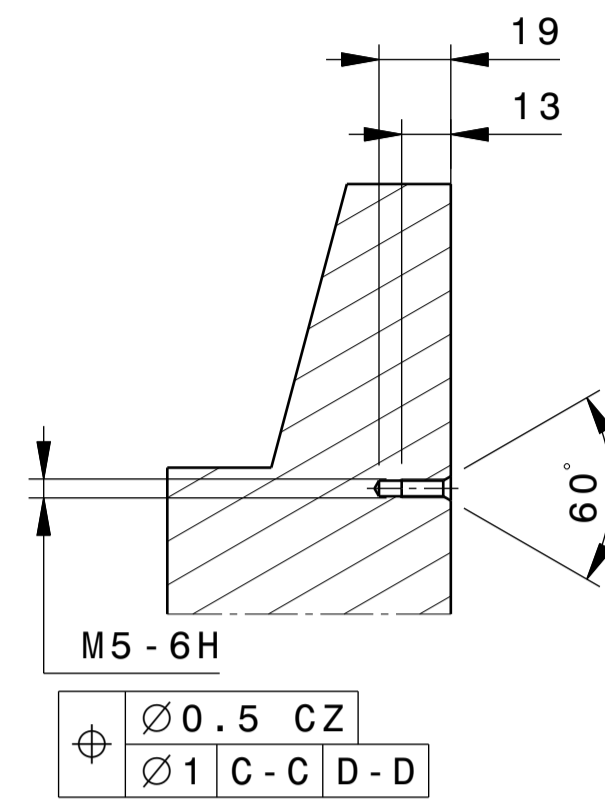
Scale: 1:1

APPLICABLE 25 TIMES

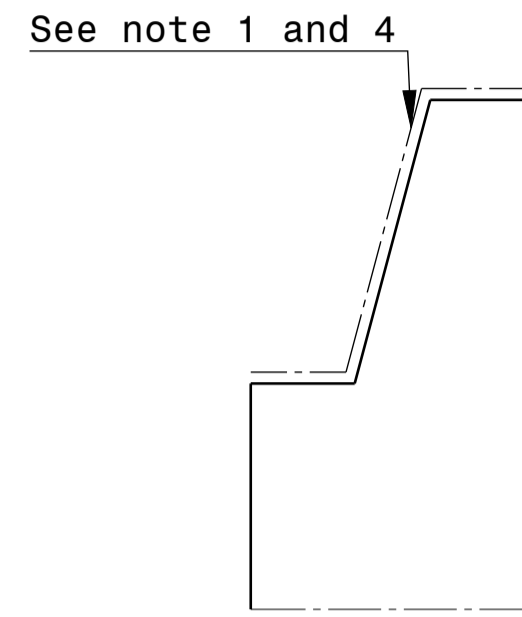


SECTION VIEW D-D

APPLICABLE 14 TIMES

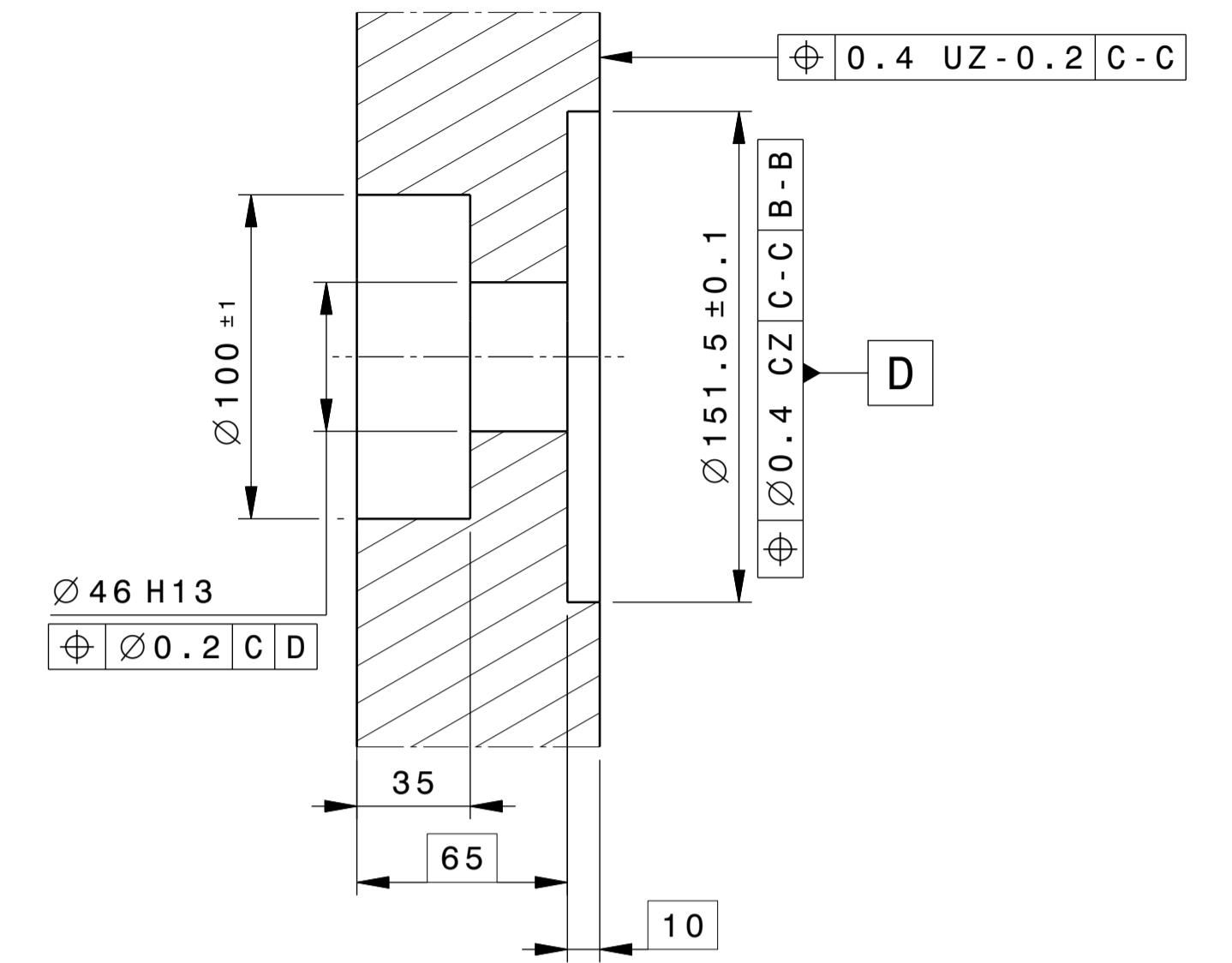


DETAIL E



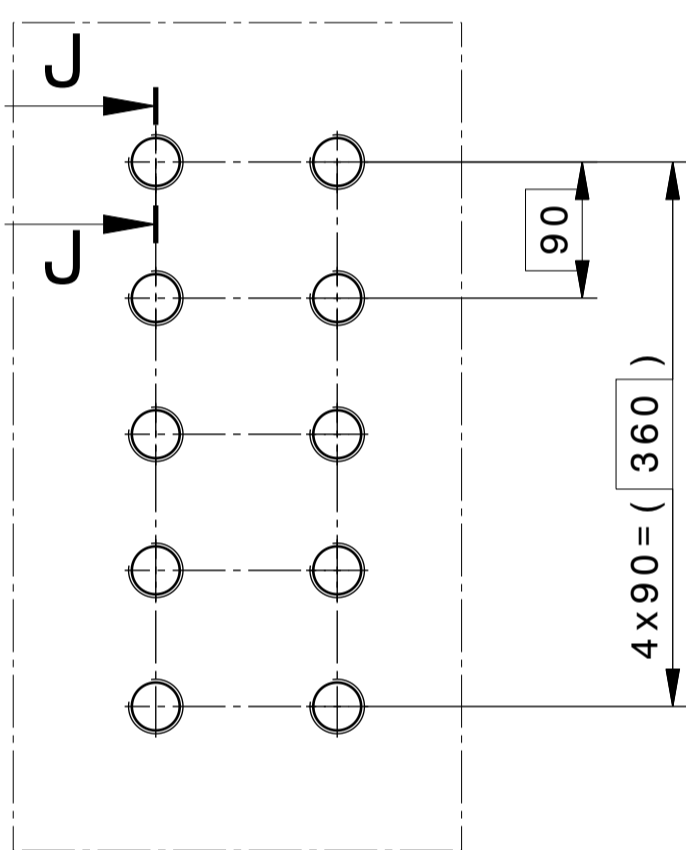
SECTION VIEW F-F

APPLICABLE 20 TIMES



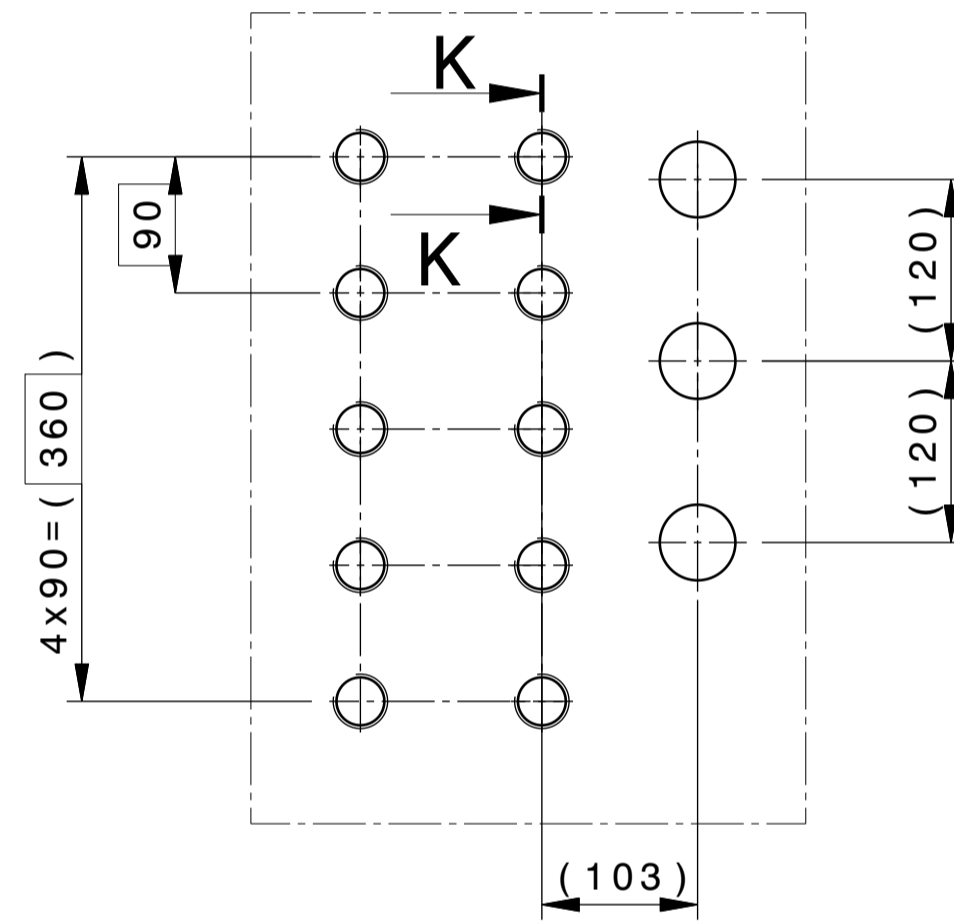
DETAIL G

Scale: 1:5



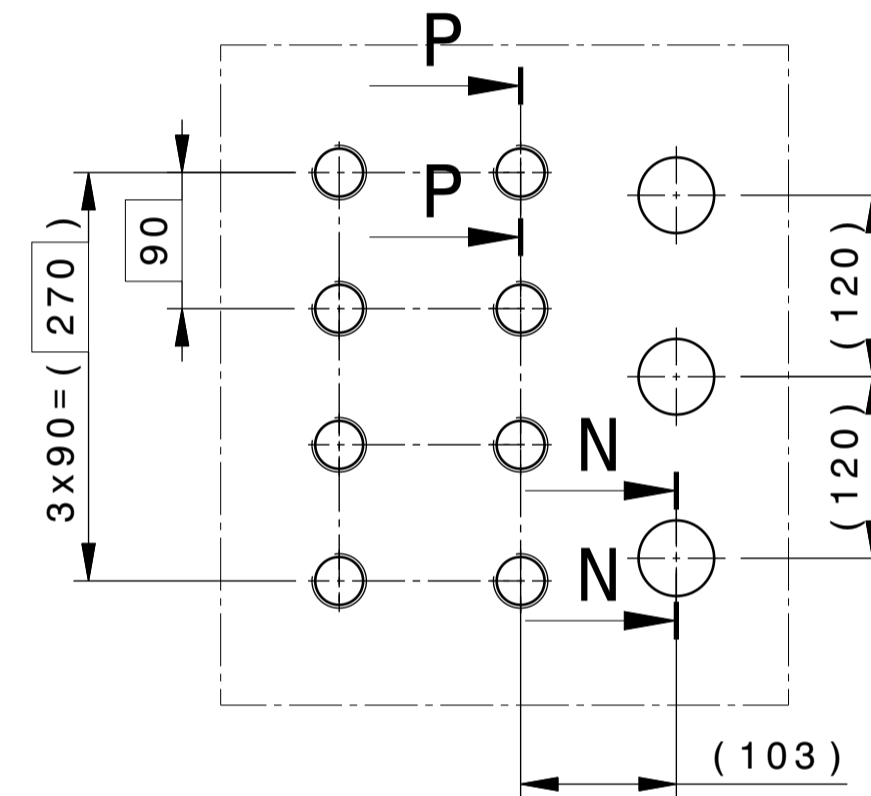
DETAIL H

Scale: 1:5

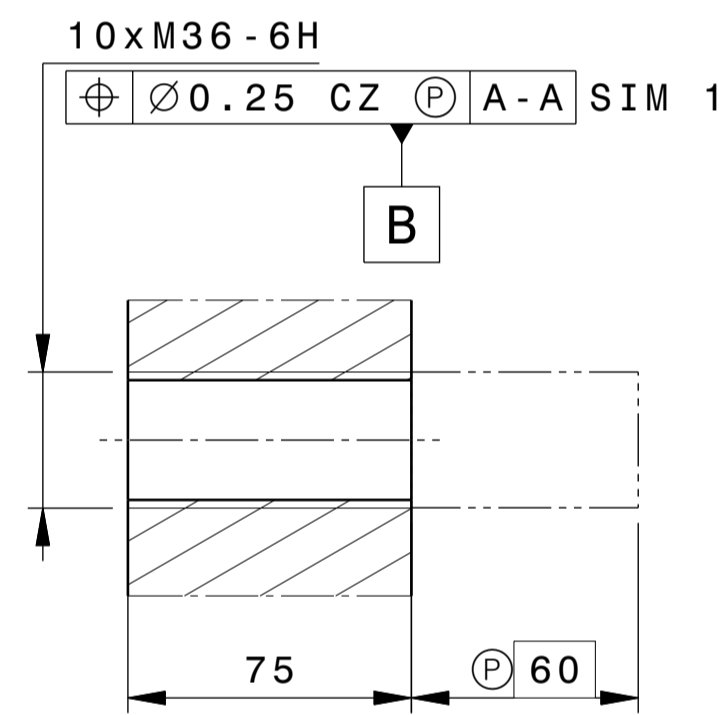


DETAIL I

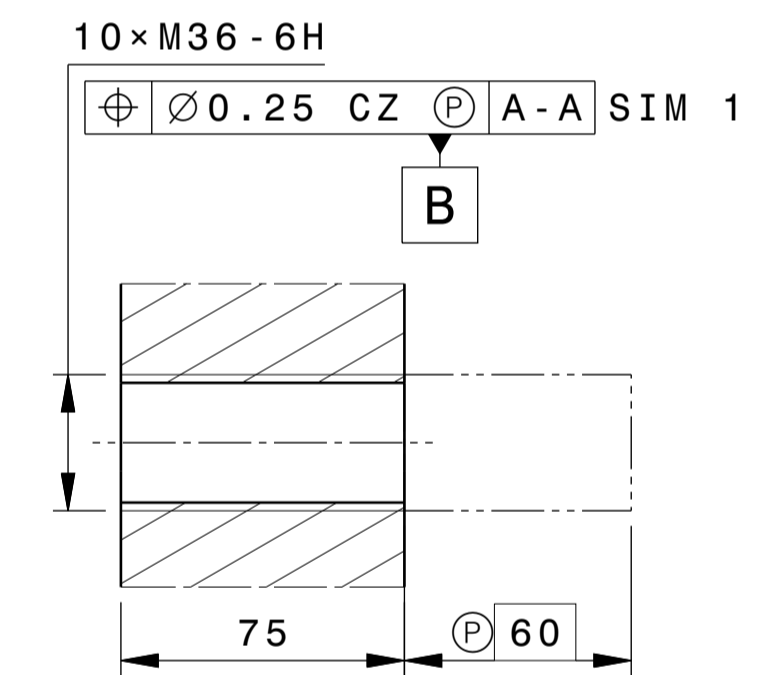
Scale: 1:5



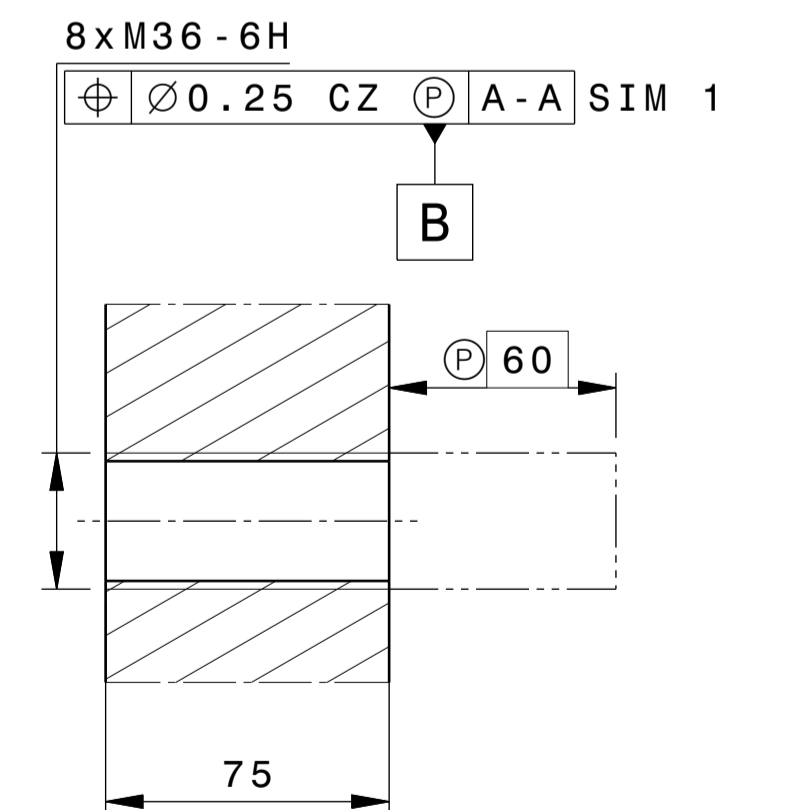
SECTION VIEW J-J



SECTION VIEW K-K

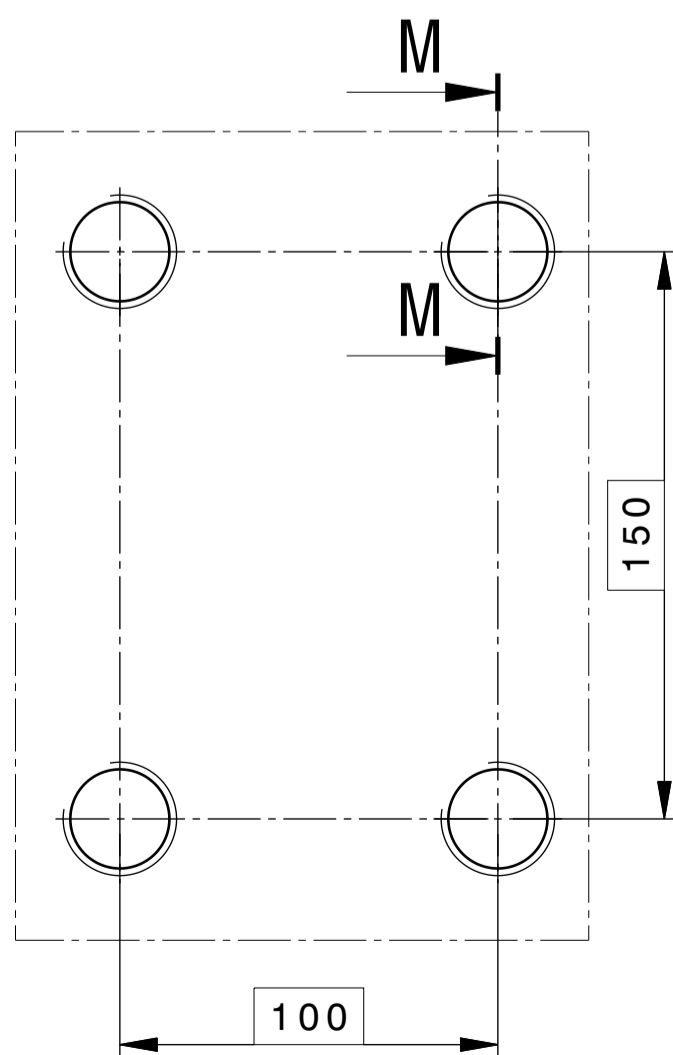


SECTION VIEW P-P



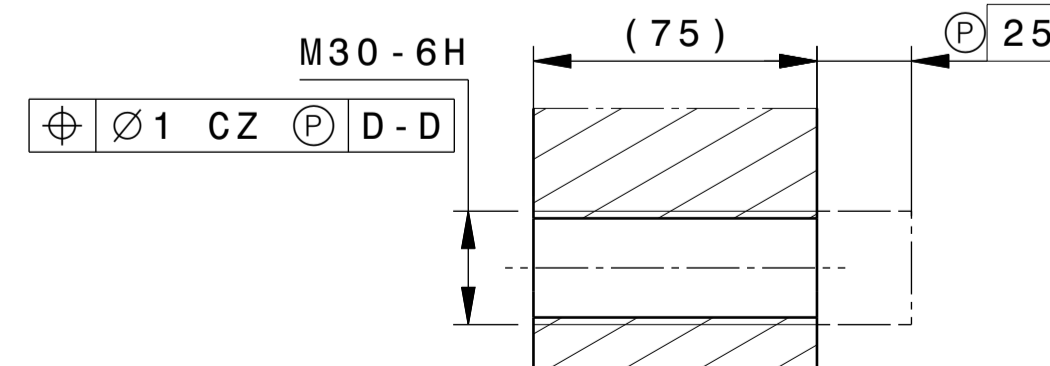
DETAIL L

APPLICABLE 2 TIMES



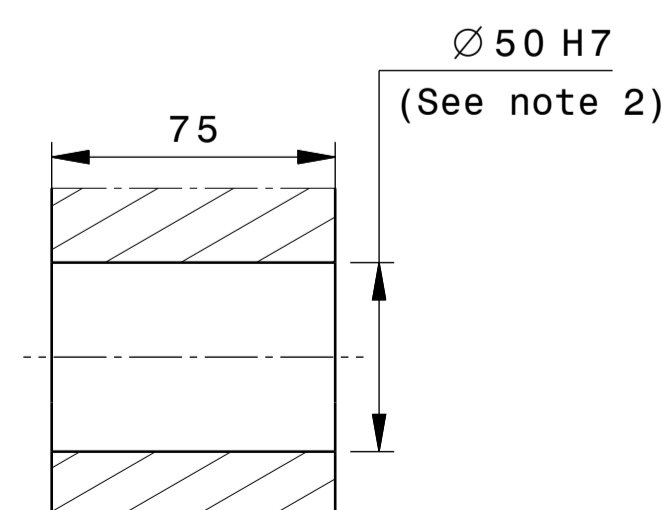
SECTION VIEW M-M

APPLICABLE 4 TIMES



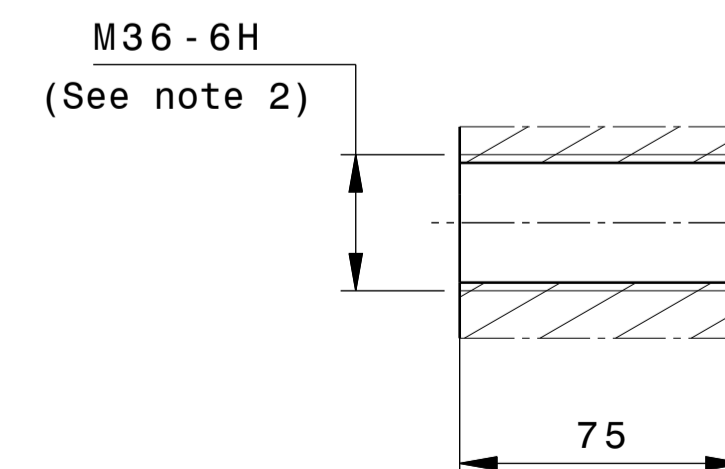
SECTION VIEW N-N

APPLICABLE 6 TIMES



SECTION VIEW O-O

APPLICABLE 13 TIMES



DRW CAD ID	4D8ECH	APPROVED BY	ITER Organization	LEGAL OWNER	
LINKED RVS PT ID	4U252N	TECHNICAL REF	INTERNAL USE		
LINKED 3D ID	6FQ4RH	ELOUAZA	When received pursuant to a contract or agreement, the confidentiality clause therein shall be applicable.		
DRW TITLE	Neutral Beam H&OD System HN801 injector Passive magnetic shield	DRAWN BY	ITERA200N	DRAWING TITLE	SIDE_PMS_1L_OUTSIDE DETAIL VIEWS
DATE OF ISSUE	30 Apr 24	PT MAJORITY	DD	SAFETY CLASS	SIC-2
DR STATUS	W	PT STATUS	--B	QUALITY CLASS	QC-2
THIRD ANGLE PROJECTION		SCALE	1:2	DOCUMENT TYPE	Part Drawing
		FORMAT	W	FORMAL PMS NUMBER	A1 53 01 PM
		DRAWING NUMBER	062556	SHEET	03
		N° OF SHEETS	03	REVISION	--A